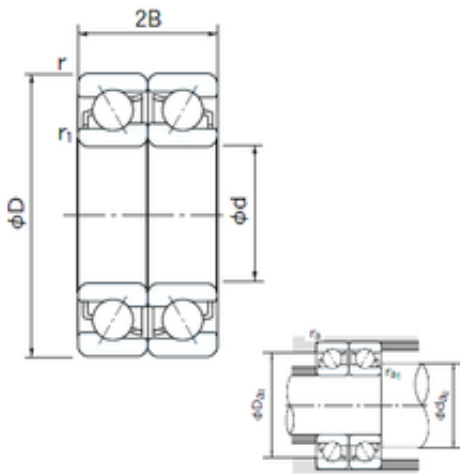




Cylindrical Roller Bearings-VIETNAM C...



7318CDF Bearing 2D drawings and 3D CAD models

90 mm x 190 mm x 43 mm NACHI 7318CDF
angular contact ball bearings

Bearing No. 7318CDF

| | |
|-------------------------------|------------------|
| Size | 90x190x43 mm |
| Bore Diameter | 90 mm |
| Outer Diameter | 190 mm |
| Width | 43 mm |
| d | 90 mm |
| D | 190 mm |
| B | 43 mm |
| C | 43 mm |
| Angle (°) | 15 ° |
| a - | 5.3 mm |
| r min. | 3 mm |
| r1 min. | 1.1 mm |
| 2B | 86 mm |
| da min. | 104 mm |
| Da max. | 183 mm |
| ra max. | 1 mm |
| Weight | 5.76 Kg |
| Basic dynamic load rating (C) | 282 kN |
| Basic static load rating (C0) | 291 kN |
| (Grease) Lubrication Speed | 4600 r/min |
| Bore Type | Cylindrical Bore |
| Enclosure | Open |
| Configuration | Duplex |
| Bore Size | 90 mm |
| Outside Diameter | 190 mm |



Cylindrical Roller Bearings-VIETNAM C...

| | |
|-------------------------|-----------|
| Width | 43 mm |
| Fillet Radius/Chamfer | 3 mm |
| r1 | 1.1 mm |
| Dynamic Load Rating | 282,000 N |
| Static Load Rating | 291,000 N |
| Limiting Speed - Grease | 4,600 rpm |
| Limiting Speed - Oil | 6,300 rpm |
| da1 (min) | 104 mm |
| da2 (min) | 104 mm |
| Da1 (max) | 176 mm |
| Da2 (max) | 183 mm |
| ra (max) | 2.5 mm |
| ra1 (max) | 1 mm |