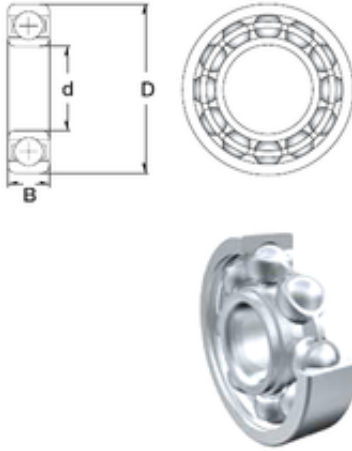




Cylindrical Roller Bearings-VIETNAM C...



90 mm x 190 mm x 43 mm ZEN 6318 deep groove ball bearings

Bearing No. 6318

| | |
|-------------------------------|--------------|
| Size | 90x190x43 mm |
| Bore Diameter | 90 mm |
| Outer Diameter | 190 mm |
| Width | 43 mm |
| d | 90 mm |
| D | 190 mm |
| B | 43 mm |
| C | 43 mm |
| Weight | 5,53 Kg |
| Basic dynamic load rating (C) | 134 kN |
| Basic static load rating (C0) | 102 kN |

6318 Bearing 2D drawings and 3D CAD models